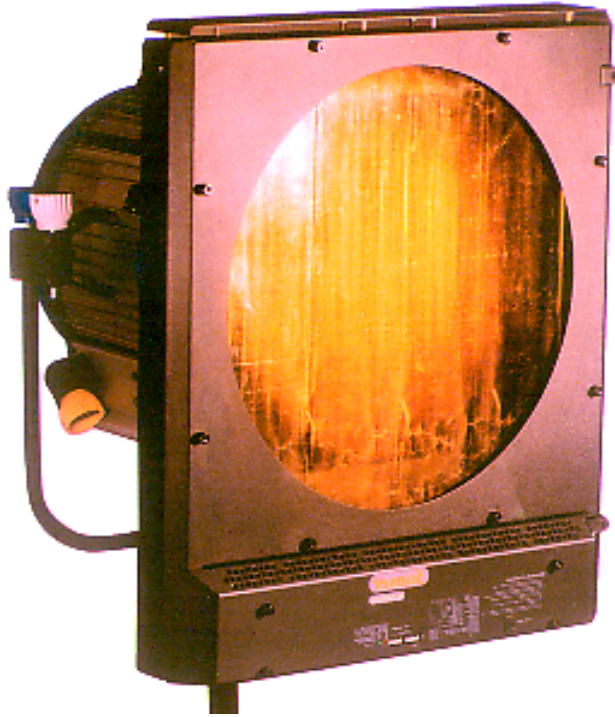


Sunset



Compulite R&D
May 1999

Table of Contents

General Description.....	1
Features.....	1
Fan Features	1
Corona Features	2
Technical Description	2
DMX Power Supply Unit.....	3
Cable.....	3
Control Panel.....	4
Setting the DMX address	4
Dipswitch Functions	4
Dipswitch Settings.....	5
Key for LED operation	5
Fan control	6
Gel string size.....	6
Auto Loading Gel String	6
Schematic Drawings.....	7

General Description

Sunset is an integrated unit of Corona dowser and Whisper Type XL color changer for 4kW, 5kW, and 6kW fixtures. Lightweight, durable construction ensures trouble free operation.

The Corona and Whisper integration provides a slim, lightweight unit that avoids excessive fixture displacement and light leakage.

Features

- Digital control protocol DMX 512
- Color changer for up to 11 colors
- Daisy chain up to 4 Sunset units to with the DMX/Power Supply Unit (optional - internal power supply for each Sunset unit)
- Front aperture (Whisper XL) 520 mm
- Rear aperture (Corona) 386 mm
- Intermediate aperture (between Corona and Whisper XL) 426 mm
- Automatic gel loading
- State of the art motor driven electronics and a 16-bit microprocessor
- Smooth rapid scrolling motion
- Quiet and efficient fan for extended gel life
- Remote and local fan control
- 4 pin XLR (48 v and DMX 512) connector for external power supply
- 5 pin XLR connector for DMX 512 with optional internal power supply and CEE 220v male connector with CE standard filter and protection
- Dipswiches for Address and function settings
- Whisper address is Corona address + 1 or Corona address + 200
- 2 blade velocity settings
- Colored LEDs for communication and DMX verification
- Self test mode for the color changer and the dowser blades
- 1 electronics board
- Aluminum sheet casing with black epoxy finish
- Removable front panel for gel ribbon replacement
- Notched platens for gel ribbons
- Optional insulated glass for 5kw and 6kw HMI fixtures

Fan Features

- Quiet fan motor with console controlled velocity
- Local fan control
- Minimum threshold fixed at 40% with 0% optional threshold
- Fan address -Whisper XL address + 1 or DMX channel 240
- Fan speed proportional to Corona blade opening (optional)

Corona Features

- High resolution and smooth blade movement
- 2 operation curves
- Large dimming range
- Low noise operation even at high speeds
- 24 narrow blades for uniform diffusion
- 350 msec Open or close Cut speed
- Long crossfade capability
- 125 msec strobing at 60% amplitude

Technical Description

Sunset (model 131-020)

Height	725 mm (28.5 ")
Width	660 mm (25.9 ")
Depth	177 mm (6.9 ")
Weight	17 kg (7.7 lb.)
Current consumption	0.8A
Front aperture (Whisper XL)	520 mm (20.5")
Intermediate aperture	426 mm (16.7")
Rear aperture (Corona)	386 mm (15.2")
Whisper XL End to end speed	4 seconds - High 8 seconds - Low
Frame dimensions	Leader: 920 mm (36.2") Active: 670 mm (26.4") Width: 560 mm (22")
Max # of frames	11

Connectors: 4 pin XLR daisy chain
 Pin 1 – GND – 2 conductors shorted for lower resistance
 Pin 2 – DMX (-) Twisted pair
 Pin 3 – DMX (+)
 Pin 4 - +48v – 2 conductors shorted for lower resistance
 Signal input: DMX512
 Power Supply: 48v DC (24v optional)

DMX Power Supply Unit

(model 130-014)

The Whisper DMX Split Box is 48v DC. It drives up to 4 Sunset units.

Height: 125 mm (4.9")

Width: 285 mm (11.2")

Depth: 190 mm (7.5")

Weight: 4.5 kg (10.1 lb.)

Power: 240 V ac (110v internally adjusted)

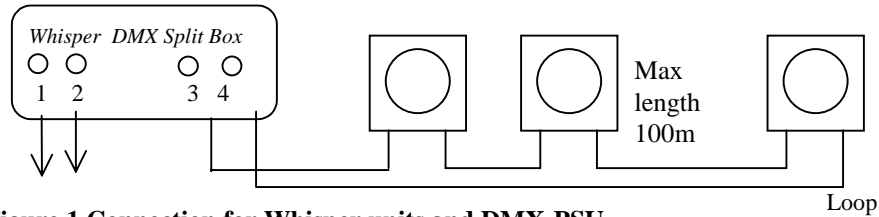


Figure 1 Connection for Whisper units and DMX-PSU

Connectors:

1. DMX input standard 5-pin XLR female
2. DMX output daisy chain 5-pin XLR male
3. Buffered DMX + power. 4-pin XLR female
4. Loop 4-pin XLR male

Cable

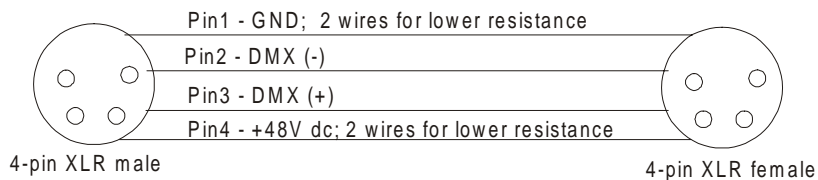


Figure 2 Whisper cable

Control Panel

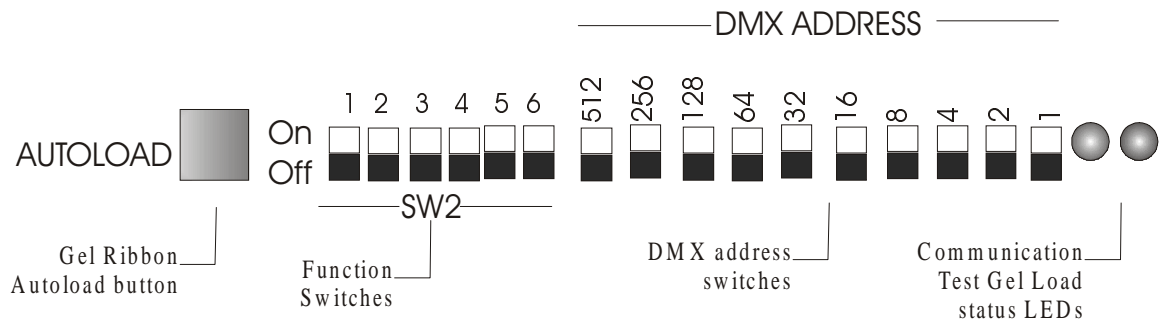


Figure 3 Sunset control panel

Setting the DMX address

Use the 10 dipswitches to set the DMX address.

Example: Set DMX address 125. Set switches 64, 32, 16, 8,4, and 1 to On.

Dipswitch Functions

Functions	Switch	What it does
Test	1	Resets the scroller by running the gel string from one end to the other and then returning to frame 1. The green LED blinks when in test.
Speed	2	Sets the velocity of the scroller travel. Set to fast mode the travel from end to end is approximately 4 seconds. Set to slow mode the travel from end to end is approximately 8 seconds.
Shutter	3	Sets No Curve or Linear Curve.
Shutter and Color Changer Addresses	4	Determines the Scroller address. There are 2 options: Shutter = DMX Address C. Changer = DMX Address +1 Shutter = DMX Address C. Changer = DMX Address +200
Fan	5,6	There are four types of fan control. 1) Fan is continuously off. 2) The fan can also be controlled by a dedicated DMX channel, which is the DMX address of the scroller + 1. 3) Control by 240. 4) Fan is continuously on.

Dipswitch Settings

Function\Switch	1	2	3	4	5	6
Normal Mode	Off					
Test Mode	On					
Slow Mode (C.changer)		Off				
Fast Mode(C.changer)		On				
No curve (Shutter)			Off			
Linear Curve (Shutter)			On			
Shutter = DMX Address C. Changer = DMX Address +1				Off		
Shutter = DMX Address C. Changer = DMX Address +200				On		
Fan Off					Off	Off
Fan (scroller address + 1)					Of	On
Fan control by DMX chan 240					On	Off
Fan Full					On	On

Key for LED operation

Red LED	Green LED	What it means
Blink	Blink	No Gel Load
Blink	Off	Start Auto Load
Blink	On	End Auto Load
On	Blink	Test
On	Off	No communication
On	On	Communication

Fan control

You can control the fan from the lighting desk or using a local setting on Sunset.

The fan speed for the local setting is 40%.

When using the lighting desk to control the fan speed the fan address is the Whisper's unit address + 1 or control channel 240.

There is also an option for the fan speed to be proportional to Corona's blades position.

The type of fan control is determined by dip switches 5 and 6.

Gel string size

Make sure that the color frames are cut to the correct sizes and carefully connected with temperature resistant adhesive. 3M Scotch Kapton film tape No. 5413 or equivalent is recommended.

The total length of an 11-frame gel string is 7870mm. The gel string height is 560 mm.

920 mm frame 1	670 mm frame 2	670 mm frame 3	670 mm frame 10	920 mm frame 11
-------------------	-------------------	-------------------	-------	--------------------	--------------------

Auto Loading Gel String

Keypresses

1. Turn on the power. Wait until the motor stops.
2. Securely attach the end of the gel string to the left cylinder. Firmly hold the other end of the gel string.
3. Press the Auto Load button.
4. When the green LED is on, securely attach the end of the gel string to the right cylinder.
5. Press the Auto Load button.

Results/Comments

- Both LEDs blink.
- The green LED is off while the gel string is being wound. The yellow LED blinks. At the end of the process the green LED lights.
- Whisper homes. The gel string is automatically aligned, correct tension is attained, and the unit memorizes the end-position.

Schematic Drawings

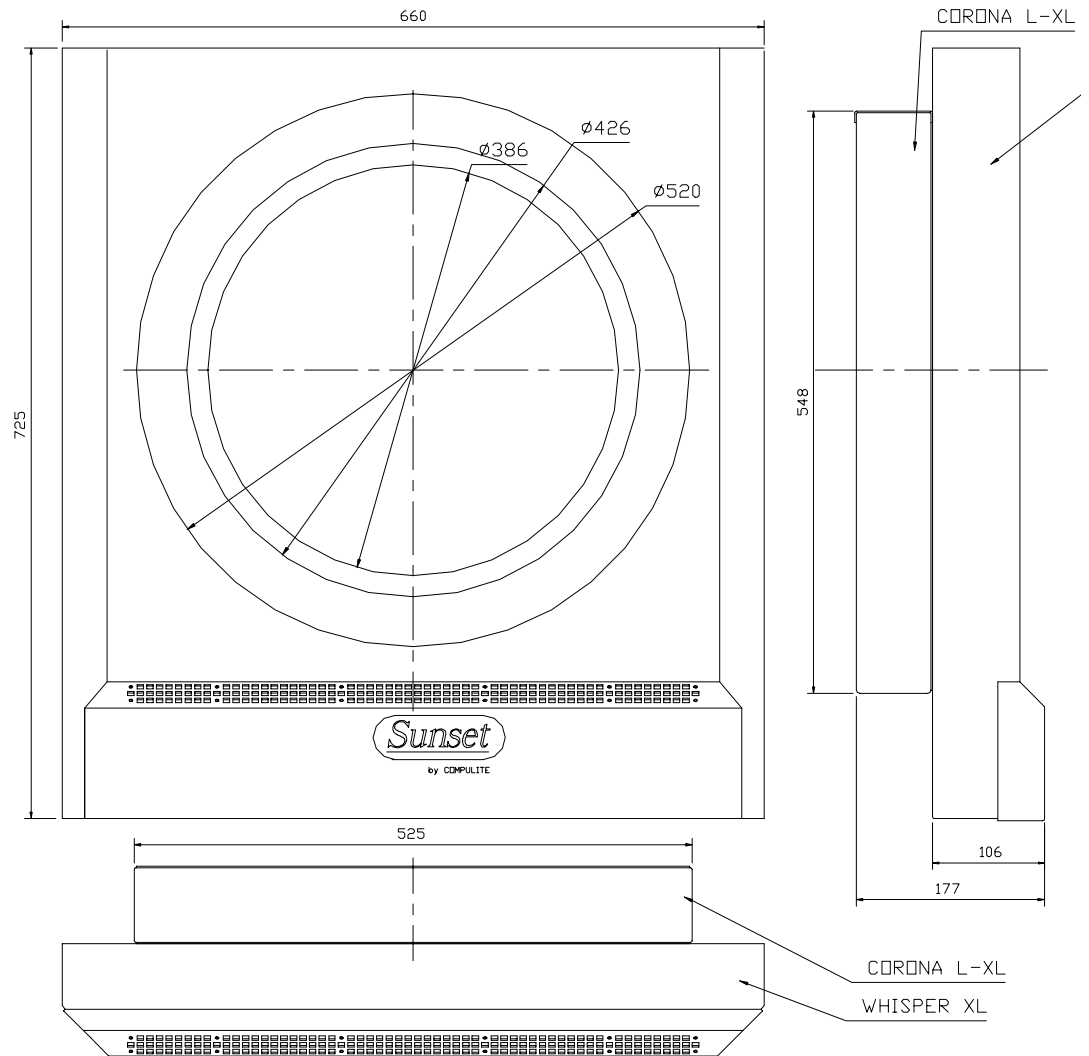


Figure 4 Whisper XL

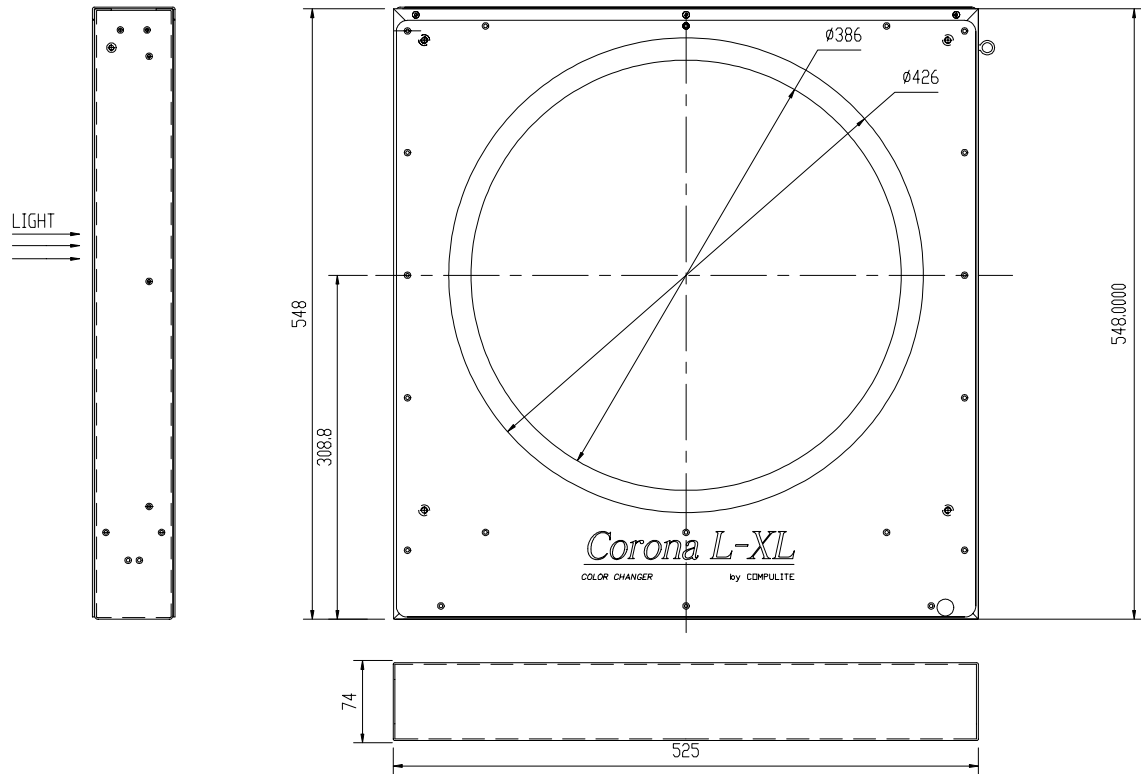


Figure 5 Corona